



**Weyn-Lauwers** N.V.

Industriepark-Noord 12  
B - 9100 SINT-NIKLAAS

Tel. : 00 32 (0)3 776.34.13  
Fax : 00 32 (0)3 778.09.52  
weynlauwers@weynlauwers.be  
www.weynlauwers.be

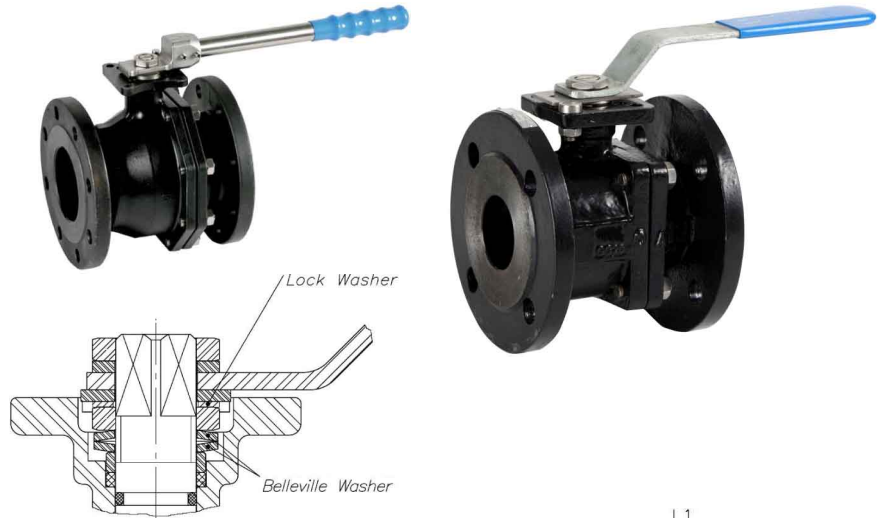
**BALL VALVE  
PN16 - FULL BORE  
DUCTILE-/CAST IRON  
FIG 151**

**DESIGN FEATURES**

- 2-PC ball valve DN15 - DN200
- Flanges acc. DIN2501 PN16
- min. : -30°C +180°C
- face to face acc. DIN3202 F4/F5
- specifications :
  - anti-blow out stem
  - block system
  - Full bore
  - mounting pad acc. ISO 5211

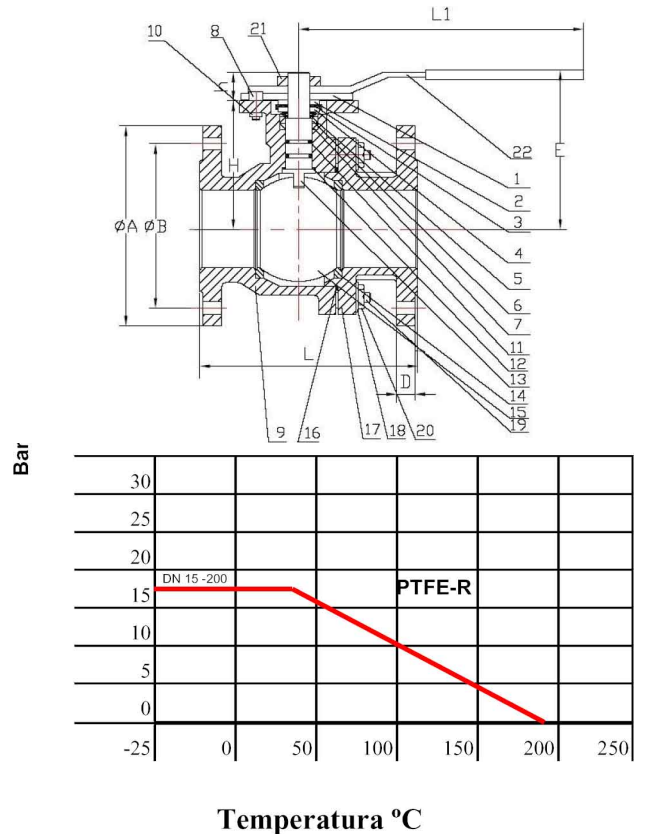
**USE**

- for all common fluids
- max. pressure : up to 16 bar



**MATERIALS**

item	Part name	Material
1	stop plate	SS 304
2	washer	SS 304
3	lock washer	SS 304
4	nut	SS 304
5	spring washer	SS 301
6	stem ring	SS 304
7	trust washer	PTFE
8	stud bolt	SS 304
9	body	GGG40 for dn15-dn200 EN-GJS-400
10	bolt washer	SS 304
11	O-ring	viton
12	trust washer	PTFE
13	stem	SS 304
14	ball seat	PTFE filled with 15 % glass
15	ball	SS 1.4308
16	gasket	PTFE
17	cap	GGG40 for dn15-dn100 GG25 for dn125-dn200
18	washer	SS 304
19	stud bolt	SS 304
22	handle	steel



**SIZE (in mm)**

DN	15	20	25	32	40	50	65	80	100	125	150	200
A	95	105	115	140	150	165	185	200	220	250	285	340
B	65	75	85	100	110	125	145	160	180	210	240	295
L	115	120	125	130	140	150	170	180	190	325	350	400
L1	130	130	170	170	220	220	284	284	360	447	560	1000
H	49	54	60	73	78	86	98	113	136	165	190	229
E	80	80	90	102	110	120	140	150	180	215	240	320
D	11	11	13	14	14	14	17	17	17	26	26	30
h	9,5	9,5	11,5	11,5	15,5	15,5	18,5	18,5	18,5	18,5	23	23
ISO5211	F03/04	F03/04	F04/05	F04/05	F05/07	F05/07	F07/10	F07/10	F07/10	F07/10	F10/F12	F12/F14
kg	2,3	2,9	4,1	5,4	6,9	9,3	14	18,3	25,3	37	49,5	98
ref.	205901	205902	205903	205904	205905	205906	205907	205908	205909	205910	205911	205912